

## Instructions

# Digital High Temperature Melt Pressure Gauge

PG112X/ PG123X/ PG133X



attestation

ISO 9001:2015

Please read this instruction manual carefully before installation



## Content

- 1.Introduction
- 2.Product features
- 3.Technical parameters
- 4.Ordering guide
- 5.External size
- 6.Hole size

## Introduction

This series of products is designed for pressure measurement in high temperature environment.Itadopts on-site LED display without indication error,two way relay output,stable work performance at 400 °C.It uses standard thread connection and is characterized by high stability and long service life.

## Product features

- $\Phi$ 100mm standard gauge installation
- 4 digit LED display,no indication error
- 4-20mA signal output,on-site control point setting
- two way relay control output 220 3A
- special diaphragm coating
- accuracy:0.5% FS

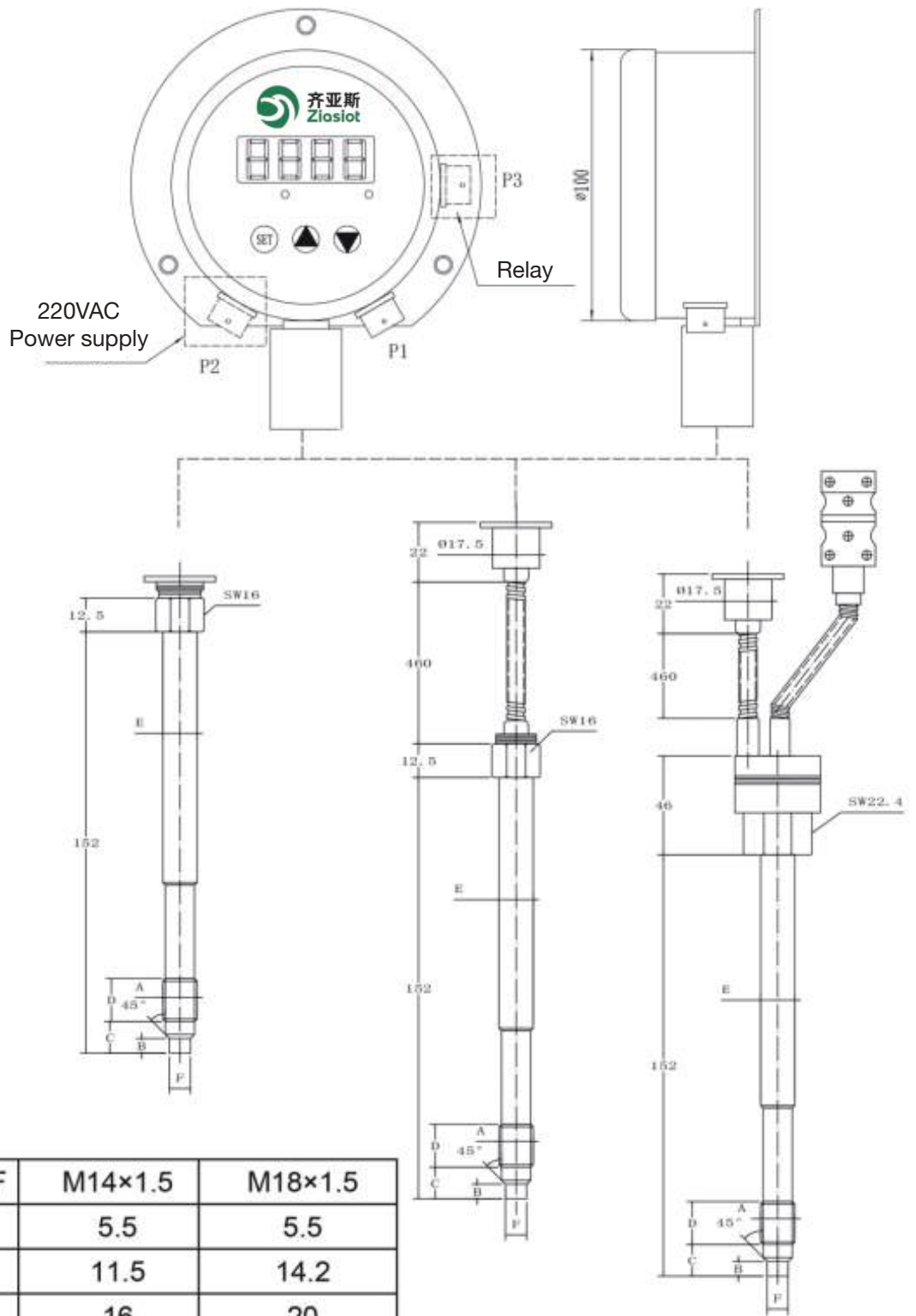
## Technical parameters

Pressure Range	0~3.5MPa or 0~200MPa
Combined Accuracy	±0.5%
Diaphragm Material	17-4 PH with anti-abrasive coating, other coating available
Overload Capacity	1.5 times rated pressure
Display Method	0.56 Nixie Tube
Indication Range	-1999~9999
Signal Output	4-20mA with two way relay output
Power Supply	24VDC/220VAC
Process Connection	1/2-20UNF , M14×1.5 , M18×1.5 , M22×1.5
Response Time	<30mS
Diaphragm Temp	400°C
Electrical Temp.	-20°C~70°C
Temp. Drift	0.03bar/°C
I.P Grade	IP65
Mounting Torque	Max.40N.m
RH	≤80%
Temp.Measurement	J type TC,K type TC,E type TC,Pt100 RTD

## Ordering guide

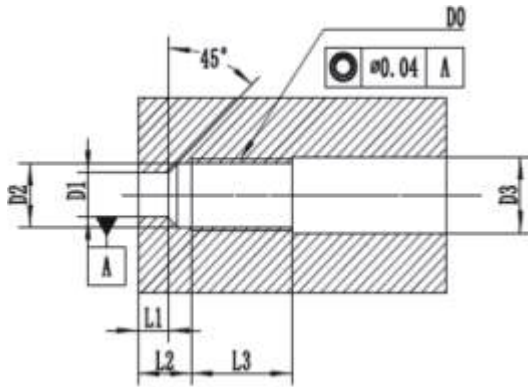
Serie No	PG	X	-	X	-	X	-	X	X	-	X	-	X	-	X	-	X
Product type	rigid stem	112X															
	flexible type	123X															
	dual pressure&temperature type	133X															
Pressure range	3.5MPa 35bar			5C													
	5MPa 50bar			7.5M													
	7MPa 70bar			1M													
	10MPa 100bar			1.5M													
	20MPa 200bar			3M													
	35MPa 350bar			5M													
	70MPa 700bar			7.5M													
	100MPa 1000bar			10M													
	140MPa 1400bar			15M													
	200MPa 2000bar			20M													
	1/2-20UMF			30M													
Process connection	1/2-20UMF			1/2													
	M14×1.5			M14													
	M18×1.5			M18													
	M22×1.5			M22													
Rigid stem	6 inches (152mm)							6									
	9 inches (229mm)							9									
	12.5 inches (318mm)							12									
	15 inches (381mm)							15									
	18 inches (460mm)							18									
Flexible	18 inches (460mm)								/18								
	24 inches (610mm)								/24								
	30 inches (760mm)								/30								
Temperature component	J type									J							
	K type									K							
	E type									E							
	Pt100 type									RTD1							
Power supply	220VAC												V1				
	24VDC												V2				
Diaphragm material	17-4 PH (Standard diaphragm)															None	
	Hastelloy (Anti-corrosive)															C2	
	Inconel 718 (Anti-abrasive)															I7	
	17-4PH (Thickening diaphragm)															T2	
Filling medium	Standard products																None
	Environmental friendly alloy filled																B17

External size

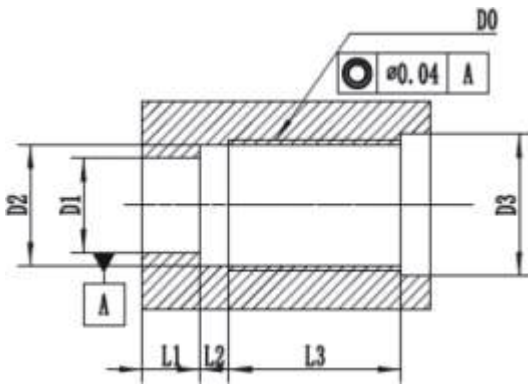


A	1/2-20UNF	M14×1.5	M18×1.5
B	5.5	5.5	5.5
C	11.5	11.5	14.2
D	16	16	20
E	$\phi 12.7$	$\phi 12.7$	$\phi 12.7$
F	$\phi 7.8_{-0.06}$	$\phi 7.8_{-0.06}$	$\phi 9.8_{-0.06}$

## Hole size



D0	1/2-20UNF	M14×1.5	M18×1.5	M12×1.5
D1	φ8	φ8	φ10	φ8
D2	φ11.5	φ12.5	φ16.5	φ10.4
D3	φ13.5	φ14.5	φ20	φ12.5
L1	5.8	5.8	5.8	5.8
L2	10	10	11	10
L3	19	19	25	19



D0	M22×1.5	M20×1.5	G3/4	G3/8
D1	φ16.2	φ14	φ18	φ10
D2	φ20.5	φ18.7	φ24.5	φ15
D3	φ24	φ22	φ28	φ18
L1	10	5.8	5.8	9
L2	5	3	11	4
L3	40	35	25	25