

Instructions

Compact Differential Pressure Transmitter

PT230/PT230FH/PT230FN



PT230



PT230FN



Summary

PT230 is assembled with diffused silicon differential pressure core,the whole product is of all stainless steel structure.The two pressure interfaces are directly installed on the measuring pipeline or connected through the pressure pipe. Compact design makes it suitable for equipment matching, machinery manufacturing and other applications with narrow space, complete equipment design, etc. Suitable for differential pressure measurement of various gases and liquids

Feature

- Compact design
- High cost performance
- Wide measuring range
- Optional field display

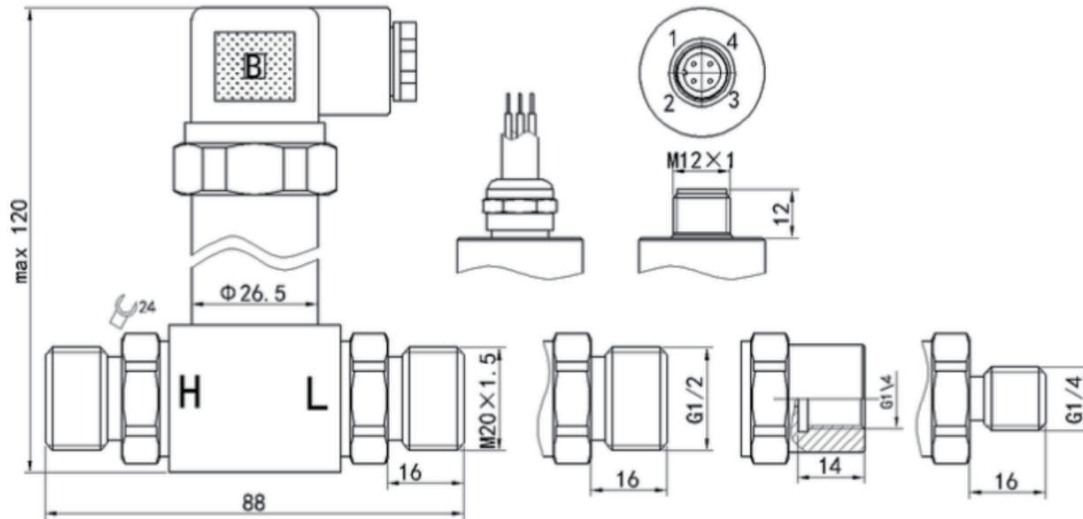
Application

- Flow measurement
- Filter monitoring
- Hydraulic and pneumatic system
- Machine manufacture

Specification


Pressure range	0~1bar,0~100bar (0~100kPa,0~10MPa)		
Pressure type	Gauge pressure		
Accuracy	0.5% F.S; 0.25% F.S		
Electrical Performance	2-wire	3-wire 0~10V	3-wire
Output signal	4~20 mA	0~10V	0~5V
Power supply	9~36Vdc	15~36Vdc	12~36Vdc
Insulation resistance	500MΩ 100Vdc		
Overload pressure	2 times rated pressure		
Bilateral static pressure	5 times rated pressure		
Diaphragm Temp	-20~85 ℃		
Protection degree	IP65		
Long term stability	0.2% FS / year		

Dimension




E-connection

Leading wire, Shielded

		Current	Voltage
	U+	red	red
	0V		black
	S+	black	green

Hirschmann DIN 175301-803 A

		Current	Voltage
	U+	1/red	1/red
	0V		2/black
	S+	2/black	3/green

Round connector 4-pin M12 x 1

		Current	Voltage
	U+	1/brown	1/brown
	0V		4/black
	S+	3/blue	3/blue

Ordering guide

Series code	PT230	X	-	X	-	X	-	X	-	X	-	X	-	X	-	X	-	X
Product type	φ27 housing	-																
	2088 housing with LCD	FH																
	2088 housing.no display	FN																
Pressure unit	bar			B														
	MPa			M														
	kPa			K														
Pressure range	Pressure range value x						X											
Process connection	G1/4							G1/4										
	1/4NPT							1/4NPT										
	G1/2							G1/2										
	M20 x1.5							M20										
	R1/4							R1/4										
	R1/2							R1/2										
	1/2NPT							1/2NPT										
	G1/4 female							G1/4C										
Output	4~20mA (the output of housing 2088,only choose this)								MA									
	0~10VDC								10V									
	0~5VDC								5V									
	0.5~4.5VDC								4V									
E-connection	Hirschmann connector (DIN 175301-803 A)									1D								
	M12x14-pin round connector									T								
	water-proof connector leading wire X meters									MX								
	Hirschmann connector with LED									3D								
Material	SUS304 (Standard)																	
	SUS316L										3L							
Sealing way	Standard end face sealing																	-
	O ring sealing																	M
Accuracy	0.5%F.S																	-
	0.25%F.S																	2A