

Explosion Proof Pressure Transmitter

Model: PT124B-280 (standard type)



Description

PT124B-280 standard explosion proof pressure transmitter adopted exact compensation technology, high accuracy high stability, explosion proof shell with LCD display. This production adopted many new technology and new design, it also insure the quality and capability, suitable for all kinds of industrial process liquid measuring and controlling.

Application

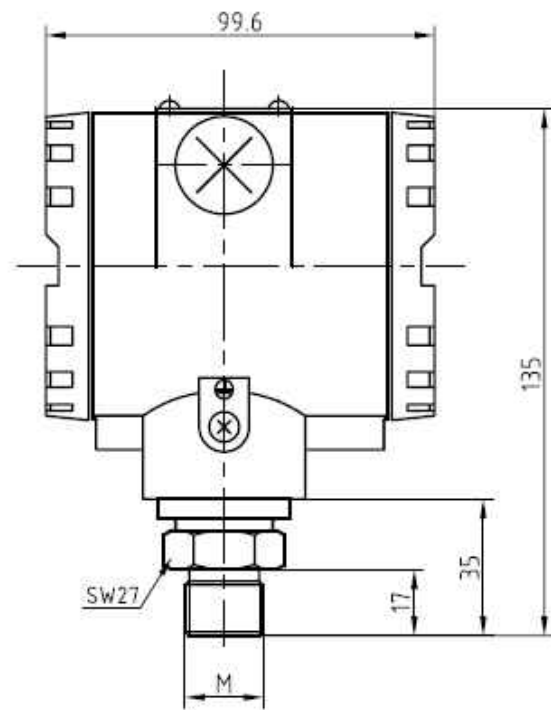
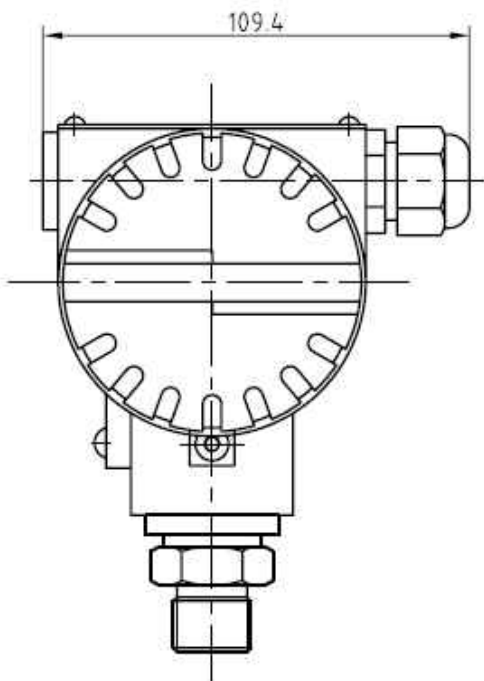
- ◆ Hydraulic controlling
- ◆ Building automation
- ◆ Ship
- ◆ Petroleum and chemical

Feature

- ◆ High accuracy
- ◆ High stability
- ◆ Explosion proof shell with LCD display



Dimension



Remarks: Above dimension only for reference, we can tailor the product as you required.

Specification

Range	0...1bar to 0...2000bar
Accuracy	0.5%FS
Linear	0.02%FS
Over pressure	150%FS
Output	4-20mA
Input voltage	24(12-36V)DC
Operating temperature	-40°C~125°C
Temperature compensation	-10°C~70°C
Explosion class	ExibII CT4
Electric connector	Terminal Block
Process connector	G1/2, M12, M20x1.5 (optional)

Wiring Code

Remove the LCD display part, and then you will see there are terminals inside as below, please connect cables according to the wiring code.



Wiring Code

Terminal OUT+ Power Red
 Terminal OUT- Signal Black
 Terminal TEST +
 Terminal TEST -

Remarks: The TEST just for current testing purpose if necessary.

Order Guide

Model	Range(bar)	Output	Process connection	Electric connection	Other requirement
PT124B-280	---	---	---	---	---

Example:PT124B-280-100bar-4/20Ma-G1/2-Direct shield cable

Shanghai Zhaohui Pressure Apparatus Co.,Ltd

5-6F No.8 Building No.115 ,Lane 1276 Nanle Road
 Songjiang District Shanghai 201600 China
 Tel:+86-21-51691919 67755189 Fax:+86-21-67755185
 E-mail: info@zhyqsensor.com
 www.zhyqsensor.com

