

# Level Transmitter

Model: PT124B-221 (Local Display)



## Description

Designed by digital circuit compensated technology, high-accuracy and high-stability Level Transmitter PT124B-221 with Local display is suitable for liquid measuring and controlling in Hydraulic fields, Environment Protecting fields, Industrial process controlling fields, Pharmaceutical fields and so on.

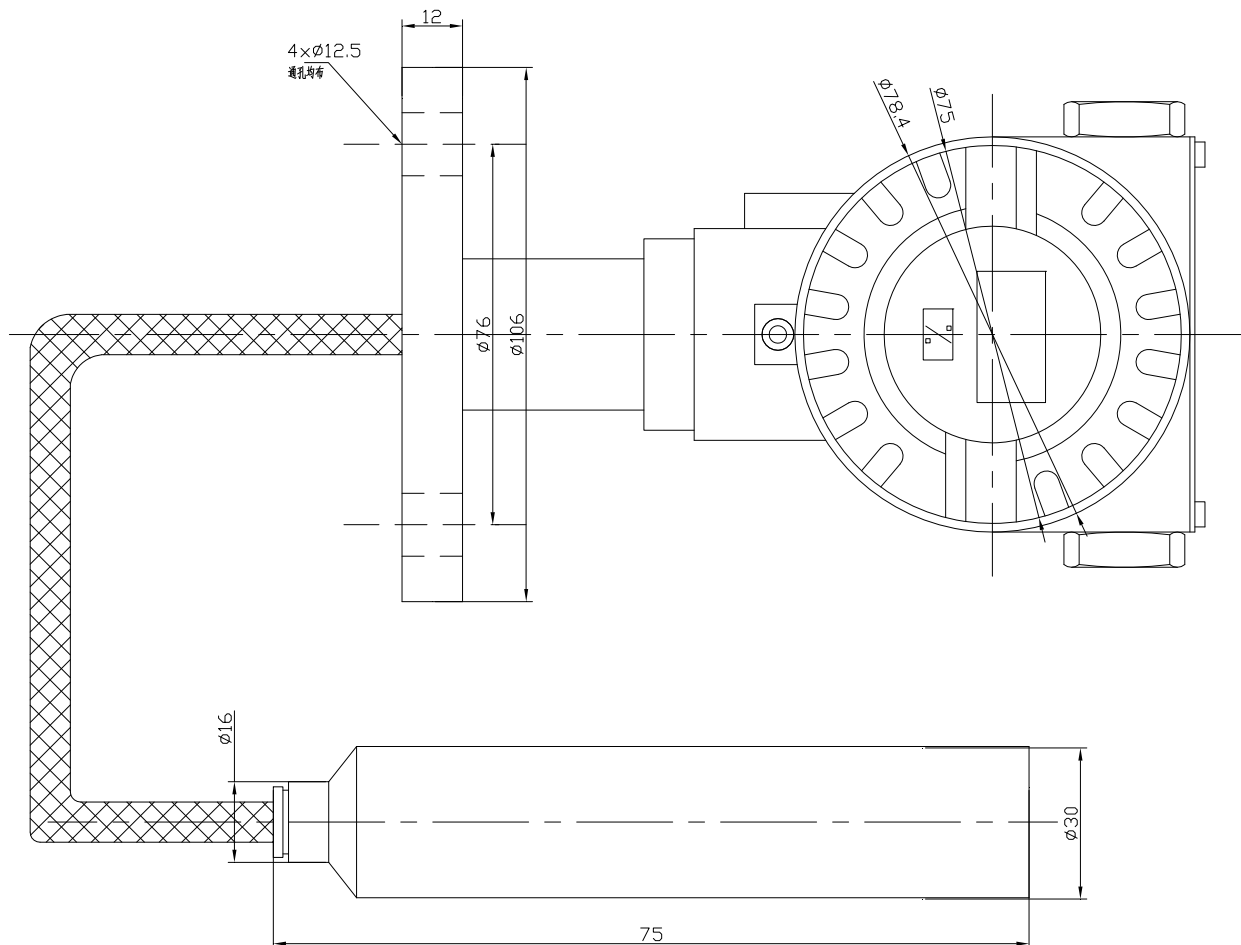
## Application

- ◆ Hydraulic fields, environment protecting fields
- ◆ Industrial process controlling fields
- ◆ Petroleum, chemistry industry, medicine

## Feature

- ◆ Digital circuit compensated technology
- ◆ Moist proof, leakage proof
- ◆ Local display
- ◆ High accuracy, good stability

## Dimension



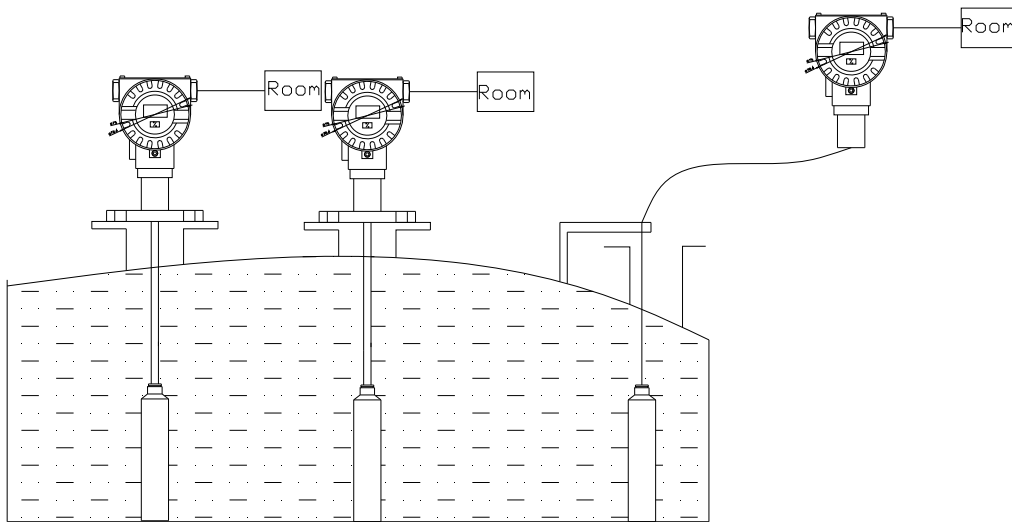
## Remarks:

The dimensions only for you reference, and you can choose other electrical connector and process connector.

Specification

Range	0....1mH2O to 0....50mH2O
Accuracy	0.5%FS
Nonlinearity	0.2%FS
Stability	0.2%FS/year
Output	4-20mA ( 2 Wire ) , 0-5V; 0-10V ( 3 Wire )
Input	24(12~36)VDC (Amplify signal)
Operation Temp	-10~80°C
Compensated temp	0~70°C
Overload pressure	150%FS
Medium material	Housing: stainless steel
Electric connection	Vented Cable ,Submersion type
Protection class	IP68

Installation



Installat in  
container

Ordering Guide

Model	Range(mH <sub>2</sub> O)	Output	Cable Length	Other Requirement
PT124B-221	---	---	---	---
Example: PT124B-221-20m H <sub>2</sub> O -4/20mA-25m cable				

Shanghai Zhaohui Pressure Apparatus Co Ltd

5-6F No.8 Building No.115 ,Lane 1276 Nanle Road Songjiang District Shanghai 201600 China  
 Tel:+86-21-51691919 67755189 Fax:+86-21-67755185  
 E-mail: info@zhyqsensor.com  
 www.zhyqsensor.com

