

Industrial Pressure Transmitter

Model: PT124B-216 (LED display)



Description

Adopting global advanced electron ceramic technology, PT124B-216 (LED display) with low range has the character of overload resistance, high impact resistance, excellent linearity, lasting high stability, wide temperature range, corrosion proof, etc. This series can be applied in Defense industry, scientific research, Space industry, Petroleum, Chemical industry, Electric power, Ocean and other fields.



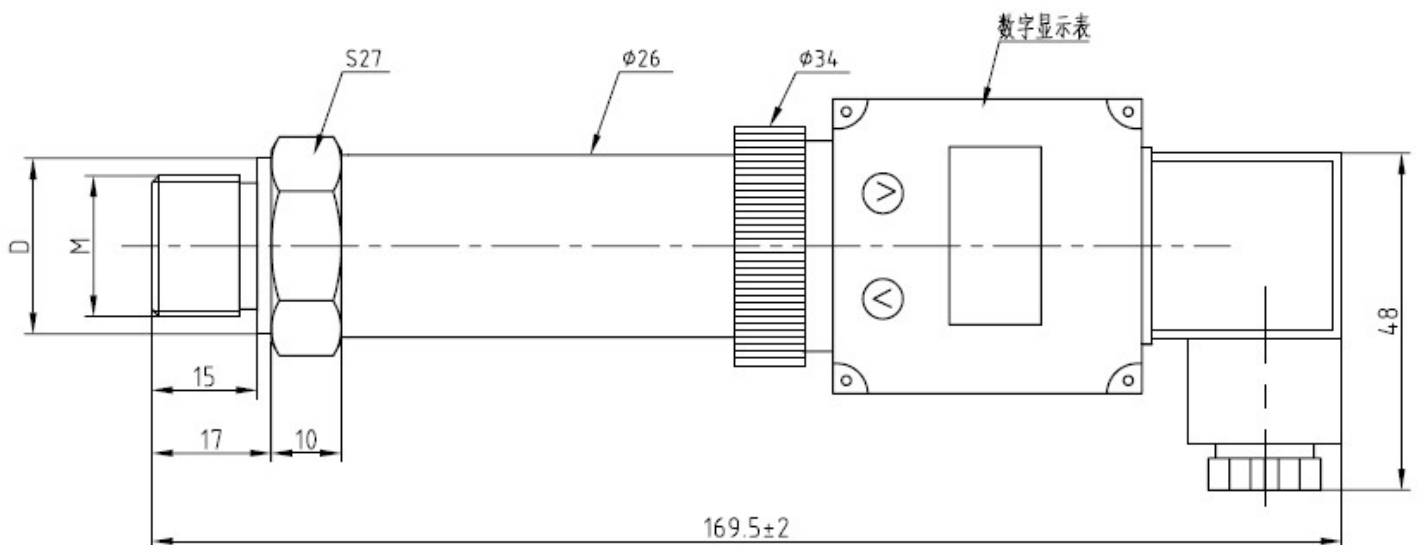
Application

- ◆ Defense industry, Scientific research, Space industry
- ◆ Petroleum, Chemical industry
- ◆ Electric power, Ocean and other fields

Feature

- ◆ Pressure Range: 0...10mbar to 0...10bar
- ◆ Measuring element: no medium liquid
- ◆ Ceramics technology,
- ◆ High accuracy, stable capability, little temp-draft
- ◆ overload resistance, high impact resistance, excellent linearity
- ◆ Lasting high stability
- ◆ Wide temperature range, corrosion proof

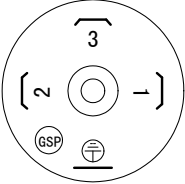
Dimension



Specification

Range:	0....1bar to 0....10bar
Accuracy:	0.5%FS
Nonlinearity:	0.2%FS
Reliability:	0.05%FS
Output:	4-20mA (2 Wire)
Input voltage:	24(12~36)VDC (Amplify signal)
Operat Temperature:	-40~80℃
Compensated temperature:	0~70℃
Overload pressure:	150%FS
Medium material:	stainless steel
Electric connector:	Hirschman (Big DIN)
Process connector:	G1/4, G1/2, 1/2NPT, 1/4NPT, M12*1.5 (Customer design)

Wiring code

Electric connector	2 wire(4-20mA)			3 wire (0-10V, 0-5V, 0.5-4.5V)		
	Pin	Function	Color	Pin	Function	Color
Hirschman 	1	E+/S+	Red	1	E+	Red
	2	E-/S-	Black	2	S+	Blue
	3	---	---	3	E-/S-	Black

Ordering Guide

Model	Range(bar)	Output	Screw Thread	Electric connection	Other requirement
PT124B-216	---	---	---	---	---
Example: PT124B-216-50Bar-4/20mA-G1/2-Hirschmann					

Shanghai Zhaohui Pressure Apparatus Co., Ltd

5-6F No.8 Building No.115 ,Lane 1276 Nanle Road
 Songjiang District Shanghai 201600 China
 Tel:+86-21-51691919 67755189 Fax:+86-21-67755185
 E-mail: info@zhyqsensor.com
 www.zhyqsensor.com

