

Industrial Pressure Transmitter

Model: PT124B-215 (Explosion proof)



Description

With stainless steel welding encapsulated component and lightning proof isolation device, PT124B-215 (Explosion Proof: EXiallCT4-6) has the character of corrosion proof, wide range temperature compensation, excellent linearity and diversifying output signal. This series can be suitable for liquid pressure measuring for explosion proof in automatization fields.



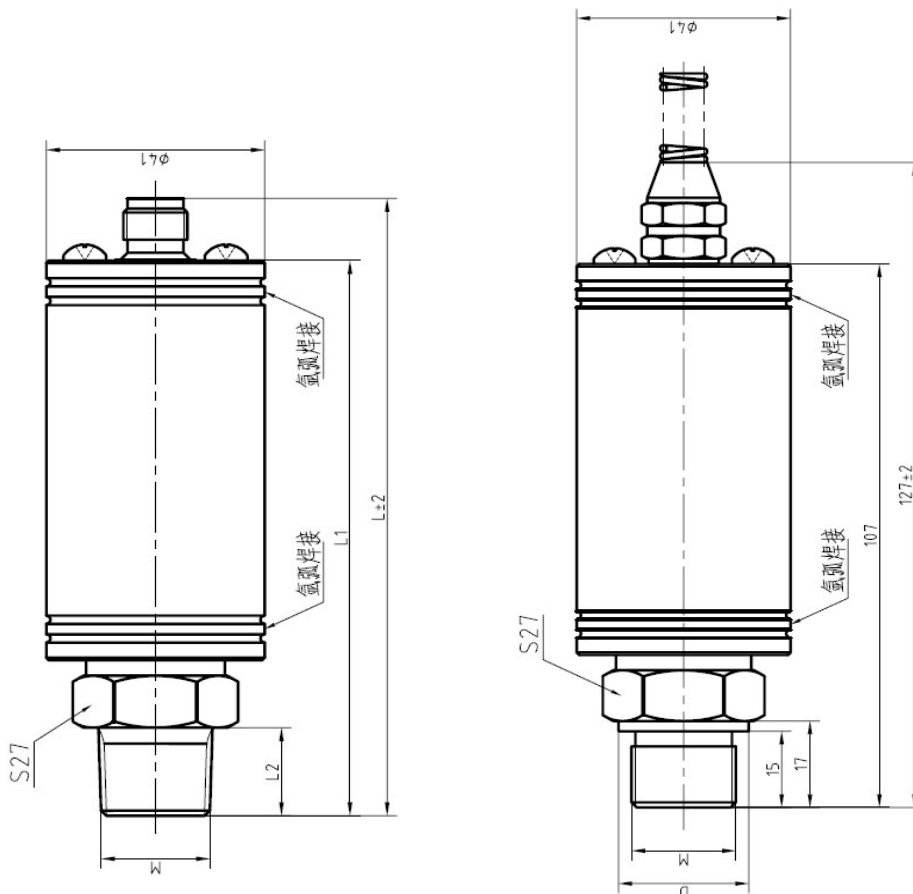
Application

- ◆ Mechanical Engineering Industry
- ◆ Hydraulic and level measurement
- ◆ Gas tank pressure monitoring
- ◆ Industrial test and control
- ◆ General industrial applications

Feature

- ◆ Pressure Range: 0...0.2bar to 0...600bar available
- ◆ Various standard Industrial signal output
- ◆ All stainless steel and anticorrosive
- ◆ Stronger anti-jamming ability
- ◆ High stability & high sensitivity
- ◆ Intrinsically safe & explosion proof construction

Dimension



Specification

| | |
|------------------------|---|
| Range | 0....1to 0....600bar |
| Accuracy | 0.25%FS; 0.5%FS |
| Nonlinearity | 0.2%FS |
| Reliability | 0.05%FS |
| Output | 4-20mA (2 Wire) , 0-5V; 0.5-4.5V |
| Input voltage | 24(12~36)VDC (Amplify signal) |
| Work Temperature Range | -40~80℃ |
| Compensated temp range | 0~70℃ |
| Overload pressure | 150%FS |
| Medium material | stainless steel |
| Electric connection | Hirschman (DIN, M12 & 4 PIN, Bendix connector, cable customer design) |
| Pressure connection | G1/4, G1/2, 1/2NPT, 1/4NPT, M12*1.5,etc (Customer design) |

Electric Connection

| Electric connector | 2 wire(4-20mA) | | | 3 wire (0-10V, 0-5V, 0.5-4.5V) | | |
|----------------------|----------------|----------|----------|--------------------------------|----------|-------|
| Hirschman | Pin | Function | Color | Pin | Function | Color |
| | 1 | E+/S+ | Red | 1 | E+ | Red |
| | 2 | E-/S- | Black | 2 | S+ | Blue |
| M12,4Pin | Pin | Function | Color | Pin | Function | Color |
| | 1 | E+ | Brown | 1 | E+ | Brown |
| | 2 | --- | --- | 2 | --- | --- |
| | 3 | E+ | Blue | 3 | S+ | Blue |
| Cable | Function | Color | Function | Color | | |
| | E+ | Red | E+ | Red | | |
| | S+ | Black | S+ | Blue | | |
| | --- | --- | E-/S- | White | | |

Ordering Guide

| Model | Range(bar) | Output | Screw Thread | Electric connection | Other requirement |
|--|------------|--------|--------------|---------------------|-------------------|
| PT124B-215 | --- | --- | --- | --- | --- |
| Example: PT124B-215-50Bar-4/20mA-G1/2- M12 | | | | | |

Shanghai Zhaohui Pressure Apparatus Co., Ltd.

5-6F No.8 Building No.115, Lane 1276 Nanle Road Songjiang District Shanghai 201600 China
 Tel:+86-21-51691919 67755189 Fax:+86-21-67755185
 E-mail: info@zhyqsensor.com
 www.zhyqsensor.com

