

Explosion Proof type Melt Pressure Transducer Datasheet



PT124G-125



PT124G-125T

Melt Pressure Transducer

Model: PT124G-125 (Explosion proof)



Description

PT124G-125 Series Melt Pressure Transducer adopts intrinsic safety explosion proof and welded construction and has wide application in melt pressure measuring in the dangerous occasion of easy-to-combustion and easy-to-explosion. This model has the character of explosion proof, abrasion resistance, low thermal draft, high accuracy, excellent anti-jamming capability, etc. It is suitable for pressure measuring and controlling in melt liquid medium for Rubber and Plastic machinery, chemical fiber, steam, petrochemical machinery and so on.

Application

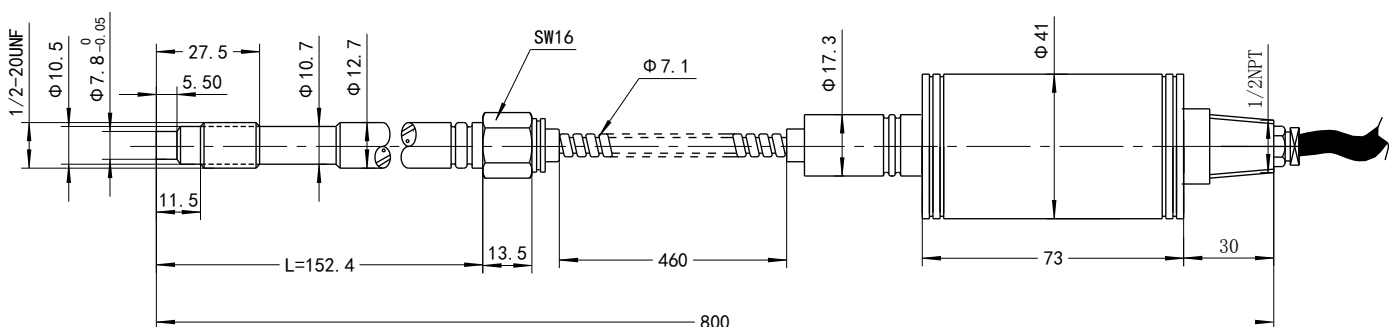
- ◆ Chemical fiber equipment
- ◆ Plastic and rubber manufacturing equipment
- ◆ Vapor, petrochemical industry
- ◆ Other pressure measure and control

Feature

- ◆ High-standard quality
- ◆ Stainless steel seal
- ◆ Simple installation
- ◆ 80% inner calibration
- ◆ Excellent stability and repetition



Dimension



Wiring code

| Output | 4/20mA (2 wires) | | 2mV/V, 3.33mV/V, 0-10V | |
|--------|------------------|--------|------------------------|--------|
| Wiring | E+ | Red | E+ | Red |
| | S+ | Blue | S+ | Blue |
| | CAL | Yellow | S- | White |
| | CAL | Black | E- | Yellow |
| | / | / | CAL | Black |

Melt Pressure Transmitter

Model: PT124G-125T (Explosion proof)



Description

PT124G-125T Series Melt Pressure Transducer comes with thermocouple, it can measure the pressure and temperature at one point. And it adopts intrinsic safety explosive proof and welded construction and has wide application in melt pressure measuring in the dangerous occasion of easy-to-combustion and easy-to-explosion. This model has the character of explosion proof, abrasion resistance, low thermal draft, high accuracy, excellent anti-jamming capability, etc. It is suitable for pressure and temperature measuring and controlling in melt liquid medium for Rubber and Plastic machinery, chemical fiber, steam, petro Chemical Machinery and so on.



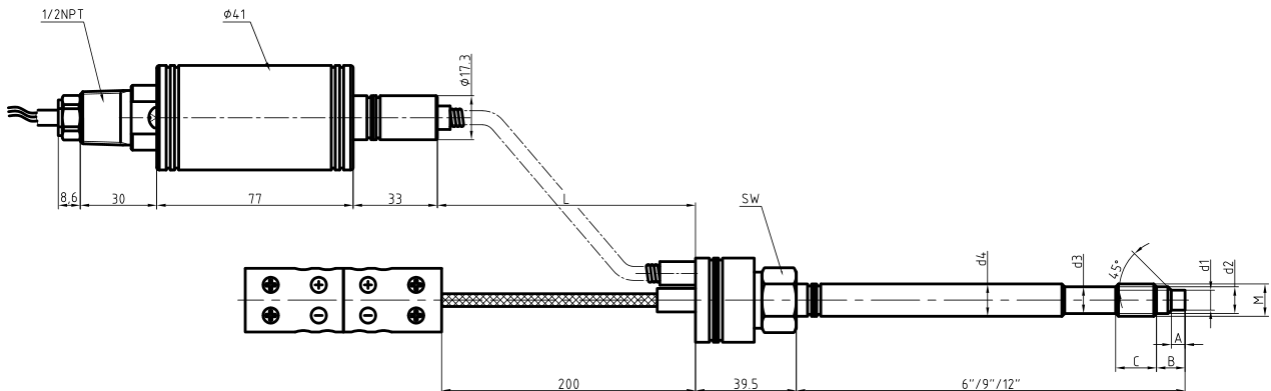
Application

- ◆ Chemical fiber equipment
- ◆ Plastic and rubber manufacturing equipment
- ◆ Vapor, petro chemical Industry
- ◆ Other pressure measure and control

Feature

- ◆ High-standard quality
- ◆ Stainless steel Seal
- ◆ Simple Installation
- ◆ 80% inner calibration
- ◆ Excellent stability and repetition

Dimension



Wiring code

| Output | 4/20mA (2 wires) | | 2mV/V, 3.33mV/V, 0-10V | |
|--------|------------------|--------|------------------------|--------|
| Wiring | E+ | Red | E+ | Red |
| | S+ | Blue | S+ | Blue |
| | CAL | Yellow | S- | White |
| | CAL | Black | E- | Yellow |
| | / | / | CAL | Black |

Specification

| | |
|------------------------|--|
| Range: | 0...10Pa to 0...150MPa (0...1500psi to 0...20000psi) |
| Output: | 3.33mV/V, 2mV/V |
| Accuracy: | ±0.5%FS |
| Input voltage: | 10VDC |
| Repeatability: | ±0.2% |
| Construction: | Wheatstone bridge |
| Bridge resistance: | 350 ohms±10% |
| Overload Pressure: | 1.5×FSO |
| Internal calibration: | 80%±1% |
| Insulation Resistance: | 1000Megohms @50Vdc |
| Max Diaphragm Temp: | 0~350°C |
| Electric connector: | 1/2NPT conduit with leads |
| Process connector: | 1/2"-20UNF, M14×1.5, M18×1.5 (customer design) |
| Thermocouple type | J, K, E & PT100 optional |
| Diaphragm material | 15-5PH, INCONEL and HASTELLOY-C optional |

Mounting Hole

| | | | | | |
|-------------------------|----|---------|---------|-----------|---------|
| <p>Planar Sealed</p> | D1 | M22×1.5 | M28×1.5 | G3/4" | PT3/8" |
| | D2 | Φ16.1 | Φ18.3 | Φ18.3 | Φ10.3 |
| | D3 | Φ20.1 | Φ26.1 | Φ24.2 | Φ14.9 |
| | M | Φ23 | Φ30 | Φ21 | Φ11 |
| | A | 11 | 12 | 12 | 14 |
| | B | 12 | 15 | 15 | 19 |
| | C | 40 | 35 | 35 | 40 |
| <p>45° Slope Sealed</p> | D1 | M12×1.5 | M14×1.5 | 1/2-20UNF | M18×1.5 |
| | D2 | Φ8 | Φ8 | Φ8 | Φ10.1 |
| | D3 | Φ10.8 | Φ12.5 | Φ11.5 | Φ16.1 |
| | D4 | Φ12.5 | Φ14.5 | Φ13.1 | Φ20 |
| | A | 6 | 6 | 6 | 6.5 |
| | B | 9 | 9.5 | 9.5 | 10 |
| | | | | | |

Ordering Guide

| Model | Range(bar) | Output | Screw Thread | Electric connection | Other requirement |
|-------------|------------|--------|--------------|---------------------|-------------------|
| PT124G-125T | --- | --- | --- | --- | --- |

Example: PT124G-125T-500Bar-3.33mV/V-1/2-20UNF-1/2NPT conduit-J

Shanghai Zhaohui Pressure Apparatus Co., Ltd

5-6F No.8 Building No.115 ,Lane 1276 Nanle Road Songjiang District Shanghai 201600 China
 Tel:+86-21-51691919 67755189 Fax:+86-21-67755185
 E-mail: info@zhyqsensor.com
 www.zhyqsensor.com



Melt pressure transducer/transmitter

Operating instruction



Attention for installation

1, Installation

Do not remove protective cap until ready to install. Prior to initial installation, verify correct machining of mounting hole. Install with aluminum gasket. The electronics housing should be secured, with the enclosed mounting bracket.

2, Remove

Make sure that there is no remained metal or plastic; remove all of the transducers from the equipment before you clean the extruder. You can remove the transducer only when the polymer is molten. And clean the diaphragm of the transducer with soft cloth as soon as you remove it. At the same time, you can use ZHYQ's cleaning tool kit to clean the remained material in the mounting hole in order to install easily next time.

3, Start-up

Bring system to operating temperature, and with no pressure, follow recommended procedures with instrumentation for zero and span adjustment. Make sure that there is sufficient "soak time" to assure that any material at the tip of the transducer is molten before process is started.

4, Electrical house

The tip of the transducer can endure high temperature, but the shell (electrical house) only endure temperature lower than 80°C, so it should place in the room temperature. It can benefit for the accuracy and natural life of the transducer if you keep the shell from the high temperature.

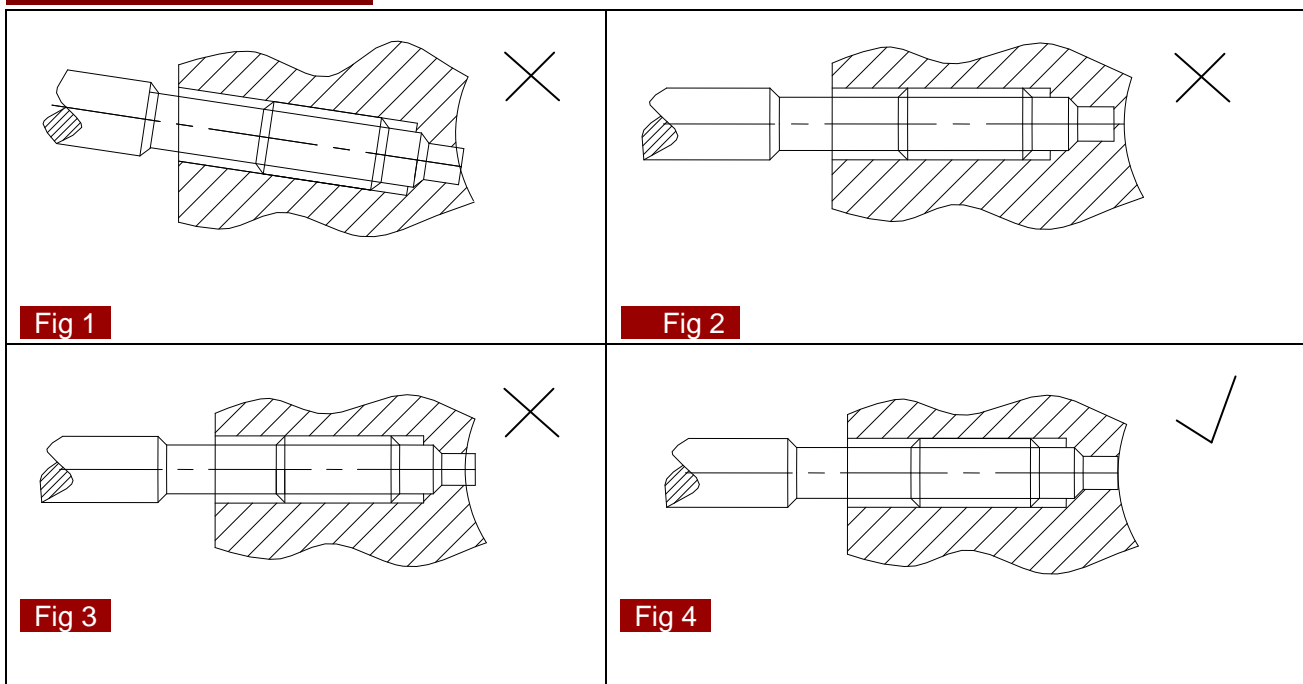
5, Overload effect

During the course of pressure measuring and controlling, it is better to make sure the transducer within the rated pressure, too long time overload the pressure will affect the accuracy and natural life of transducer, although the transducer own determinate overload ability.

6, Wiring

Use shielded cable, attach cable shield to ground at one end only. In order to prevent the jamming.

Select correct installation



Wiring diagram

| | | | | | |
|---------------|-----------------|-----------------|--------------|--|-------------|
| Output | Function | Color | 5PIN | | |
| 0/5V;1-5V; | Signal + | Blue | 1 | | |
| 0/10V | Excitation + | Red | 2 | | |
| 0/0.5V | Signal - | White | 3 | | |
| 2.0mV/V | Excitation - | Yellow | 4 | | |
| | Calibration | Black | 5 | | |
| Output | Function | Color | 5PIN | | |
| 4/20mA | Signal+ | Blue | 1 | | |
| | Excitation+ | Red | 2 | | |
| | Calibration | Yellow | 4 | | |
| | Calibration | Black | 5 | | |
| Output | Function | Color | 6PIN | | |
| 0-5V;1-5V; | Signal + | Blue | A | | |
| 0-10V; | Signal - | Green | B | | |
| 0/0.5V | Excitation + | Red | C | | |
| 3.33mV/V | Excitation - | Yellow | D | | |
| | Calibration | Brown | E | | |
| | Calibration | Black | F | | |
| Output | Function | Color | 6PIN | | |
| 4-20mA | E+ S+ | Red | A | | |
| | E- S- | Blue | B | | |
| | Calibration | Yellow | E | | |
| | Calibration | Black | F | | |
| Output | Function | Color | 8PIN | | |
| 0-5V;1-5V; | Excitation + | Red | A | | |
| 0-10V; | Signal + | Blue | B | | |
| 0/0.5V | Excitation - | Yellow | C | | |
| 3.33mV/V | Signal - | Green /White | D | | |
| | Calibration | Brown | E | | |
| | Calibration | Black | F | | |
| | Blank | -- | G, H | | |
| | Output | Function | Color | | 8PIN |
| 4-20mA | E+ S+ | Red | A | | |
| | E+ S+ | Blue | B | | |
| | Calibration | Yellow | E | | |
| | Calibration | Black | F | | |

Shanghai Zhaohui Pressure Apparatus Co., Ltd

5-6F No.8 Building No.115 ,Lane 1276 Nanle Road Songjiang District Shanghai 201600 China
 Tel:+86-21-51691919 67755189 Fax:+86-21-67755185
 E-mail: info@zhyqsensor.com
 www.zhyqsensor.com

