

Absolute / gauge pressure transmitter

Model: PT124B-3507



Description

The high performance absolute and gauge pressure transmitter PT124B-3507G and PT124B-3507A feature single crystal silicon resonant sensor and are suitable to measure liquid, gas, or steam pressure. EJX510A and EJX530A output a 4 to 20mA DC signal corresponding to the measured pressure. It also features quickly response, remote setup and monitoring via HART communications, diagnostics, and optional status output for pressure high/low alarm. The multi-sensing technology provides the advanced diagnostic function to detect such abnormalities as an impulse line blockage or heat trace breakage. FOUNDATION Fieldbus protocol type is also available.

Feature

- Adopts FST mono crystalline silicon MEMS chip to encapsulate
- Accuracy +/-0.075% , Error less than +/-0.1%/10MPa
- Advanced stability and static pressure performance
- Excellent overload performance
- Suitable for negative pressure measurement
- Intelligent static pressure and temperature compensation
- Internal integrated high sensitivity temperature transducer
- Perfect thermal drift
- All SS316L welding sealed construction with silicon filled
- Fast response time

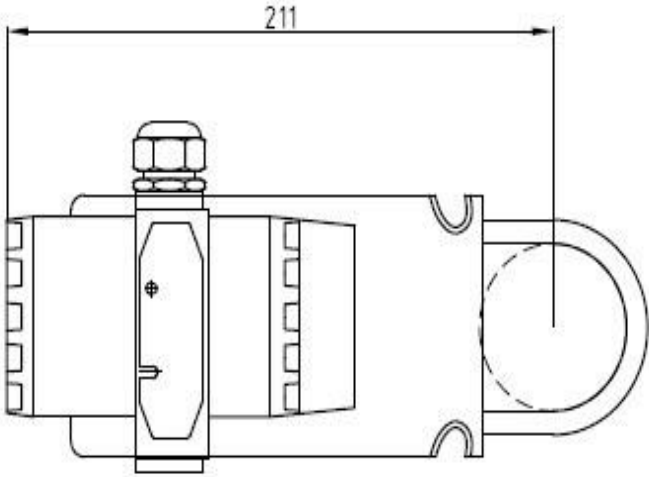


Specification

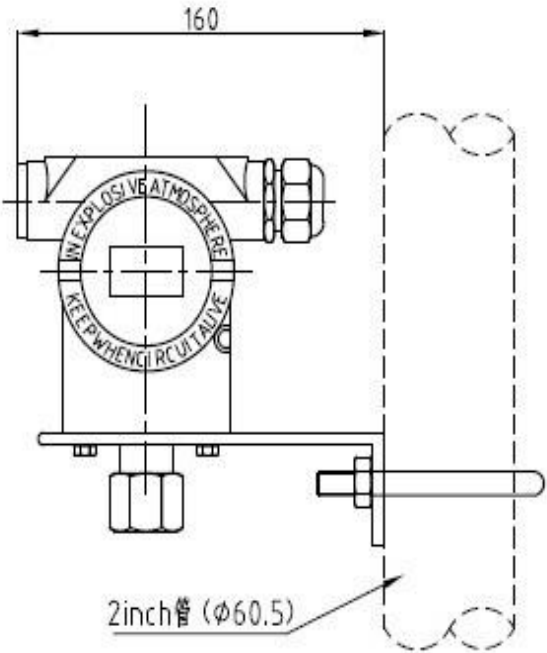
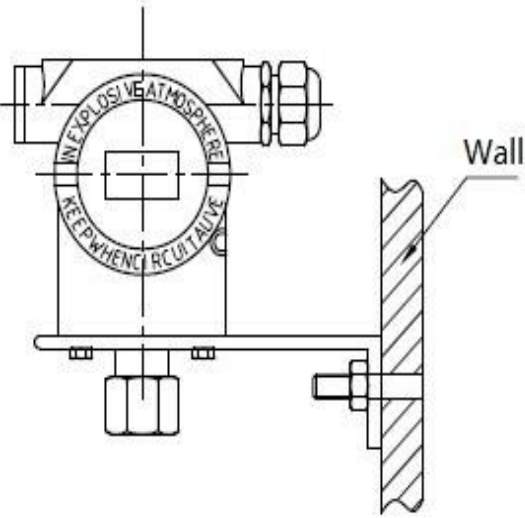
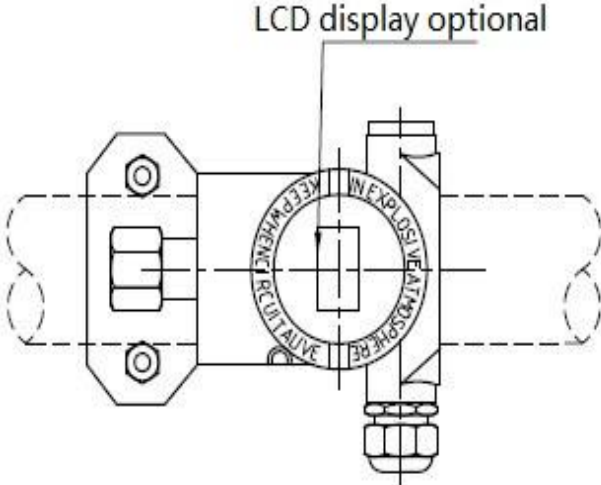
Item	Specification
Medium	Gas, steam, liquid
Measurement range (Non migration)	0-0.6KPa-20Mpa
Accuracy	+/-0.075%, +/-0.1%
Wetted parts material	SS316L, Hastelloy C
Output	2-wire 4-20mA, HART communication optional, linear output or square root output available
Ambient temperature limited	-40~85°C -20~65°C (with LCD display, fluorine rubber O-ring)
Protection grade	IP67
Electrical connector	M20*1.5 cable sealing buckle, terminal suitable for 0.5-2.5mm ² cable
Process connector	Standard 1/2NPT female, with 1/2NPT, G1/2 and M20*1.5, KF16 vacuum interface available
Mounting position effect	Rotation in diaphragm plane has no effect. Tilting up to 90° will cause zero shift up to 0.25KPa for range C, and 0.15KPa for other range, which can be corrected by the zero adjustment.

Dimensions

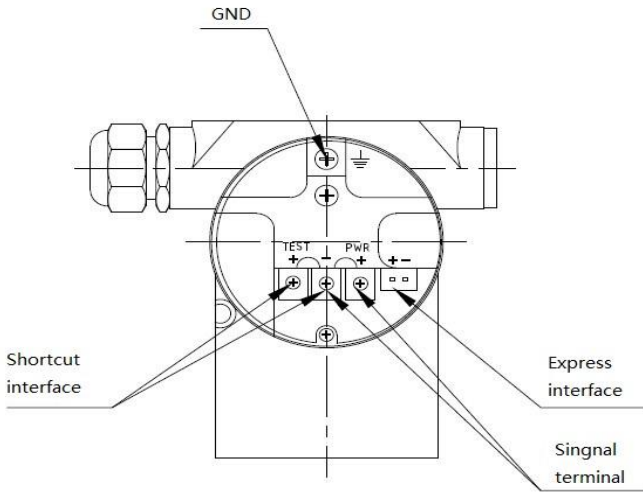
Horizontal tube connection (side face)



Horizontal tube connection (front)

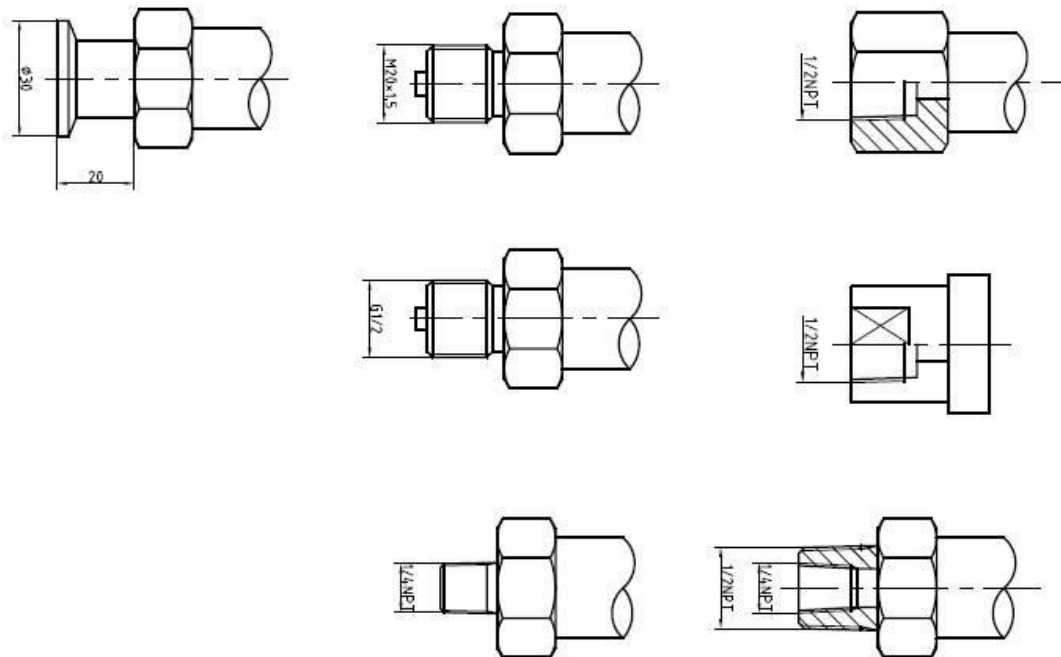


Wiring connector



PIN	2-wire	3-wire
PWR+	P+	P+
PWR-	P-	P-
TEST+		S-

Process connector



Ordering Guide

Model	Range	Output	Screw Thread	connection	Other requirement
PT124B-3507	---	---	---	---	---

Example: PT124B-3507-10bar-4/20mA-1/2NP F-M20*1.5 cable sealed

Shanghai Zhaohui Pressure Apparatus Co.,Ltd

5-6F No.8 Building No.115 ,Lane 1276 Nanle Road Songjiang District Shanghai 201600 China
 Tel:+86-21-51691919 67755189 Fax:+86-21-67755185
 E-mail: info@zhyqsensor.com
 www.zhyqsensor.com

