

# Industrial Pressure Transmitter

Model: PT124B-210 (Standard)

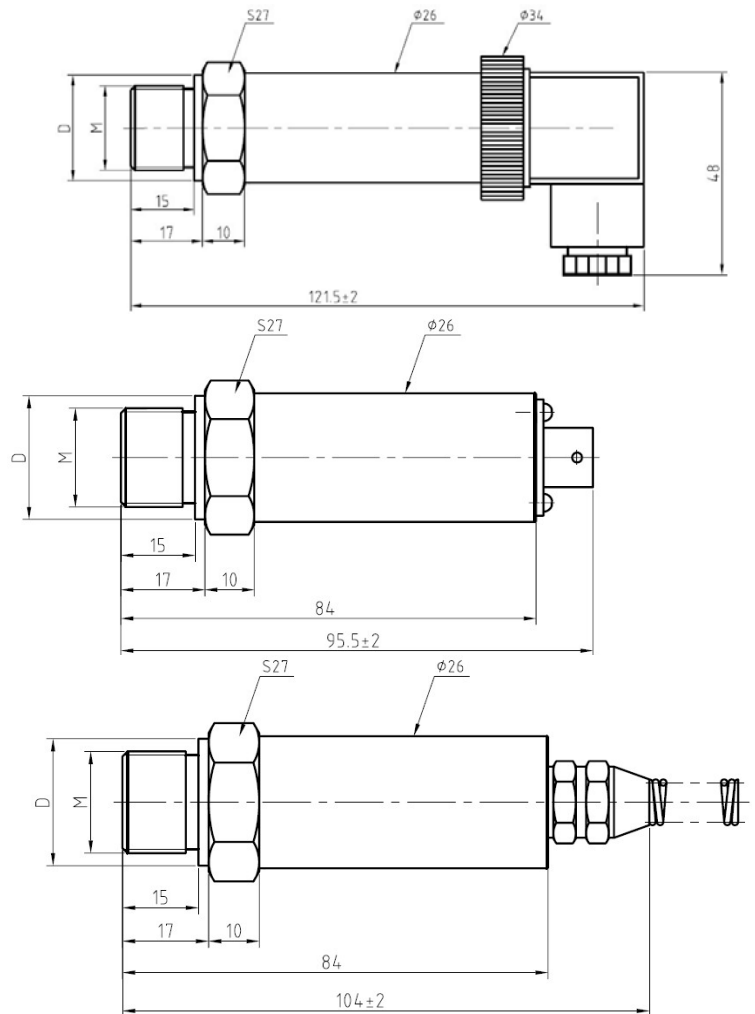


## Description

PT124B-210 series of pressure transmitters has been carefully designed to cover the majority of industrial applications with instruments readily available from stock. Compact design and robust construction make these instruments suitable for all application in machine construction, process control, laboratory or quality and materials testing equipment.



## Dimensions



## Application

- ◆ Mechanical Engineering Industry
- ◆ Hydraulic and level measurement
- ◆ Gas tank pressure monitoring
- ◆ Industrial test and control
- ◆ General industrial applications

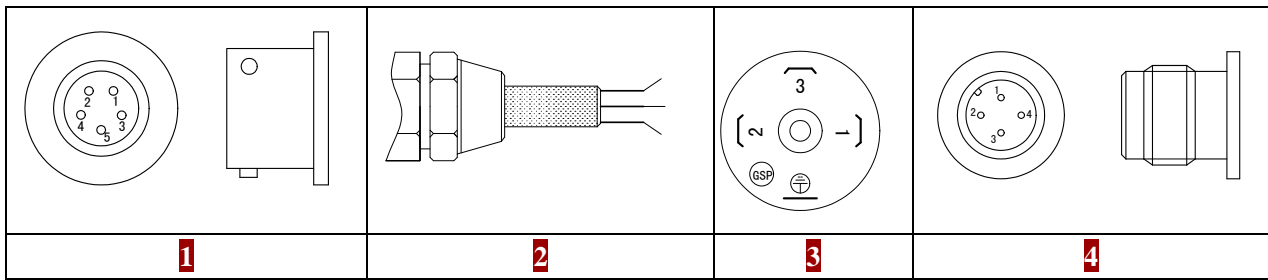
## Feature

- ◆ Various industrial standard signal output
- ◆ Various electrical connector available
- ◆ Certain stock for shortening delivery time
- ◆ High accuracy, free of calibration
- ◆ compact dimension design

## Specification

Range:	-1~0-2000bar
Accuracy:	0.5%FS; 1%FS
Nonlinearity:	Full span x 0.2%
Repeatability:	Full span x 0.05%
Output:	4-20mA(Two wire ), 0-5V, 0-10V(Three wire); 2mV/V, 3.3mV/V (PT124S-210)
Input voltage:	24(12~36)VDC (Amplify signal), 10(6~12)VDC (mV output)
Operating Temperature:	-40~80°C
Compensated temperature:	0~70°C
Overload pressure:	150%FS
Medium material:	stainless steel or Hardening Aluminum
Electric connector:	Hirschman (DIN), M12,4pin, Bendix connector, grand cable (Customer design)
Process connector:	G1/4, G1/2, 1/2NPT, 1/4NPT, M12*1.5 (Customer design)

## Electric Connector



## Electric Connection code

Connector type1	Function	Color	5PIN	Connector type2	Function	Color	
5PIN connector 0-5V; 0-10V 0.5-4.5V,1-5V	S+	Blue	1	Grand cable 0-5V; 0-10V 0.5/4.5V,1-5V	S +	Blue	
	E+-	Red	2		E +	Red	
	E-/S-	Black	3		E-/S-	Yellow/White	
5PIN connector 1.5mV/V, 2mV/V 3.33mV/V	S+	Blue	1	Grand cable 1.5mV/V, 2mV/V 3.33mV/V	S+	Blue	
	E +	Red	2		E +	Red	
	S -	White	3		S -	White	
	E -	Yellow	4		E -	Yellow	
	C	Black	5		C	Black	
5PIN connector 4-20mA	E+	Red	1	Grand cable 4-20mA	E+	Red	
	S+	Black	2		S+	Black	
Connector type3	Function	Color	4PIN	Connector type4	Function	Color	4PIN
Hirschman 0-5V; 0-10V 0.5-4.5V,1-5V	E+	Red	1	M12x1 connector 0-5V; 0-10V 0.5-4.5V,1-5V	E +	Brown	1
	S+	Blue	2		S +	Blue	3
	E-/S-	Black	3		E-/S-	White	4
Hirschman 4-20mA	E+	Red	1	M12x1 connector 4-20mA	E+	Brown	1
	S+	Black	2		S+	Blue	3

## Ordering Guide

Model	Range	Output	Screw Thread	connection	Other requirement
PT124B-210	---	---	---	---	---
Example: PT124B-210-50Bar-4/20mA-G1/2-Hirschman					

Remarks:

Please connect the pressure transmitter with the opposite connection for difference electric connector. If the pressure transmitters with cable, please refer to the right color.

## Shanghai Zhaohui Pressure Apparatus Co.,Ltd

5-6F No.8 Building No.115 ,Lane 1276 Nanle Road Songjiang District Shanghai 201600 China  
 Tel:+86-21-51691919 67755189 Fax:+86-21-67755185  
 E-mail: info@zhyqsensor.com  
 www.zhyqsensor.com

